

Air & Allied Sales (Pacific) Pty Ltd

23 Precision Street
Salisbury QLD 4107

+617 3272 7999

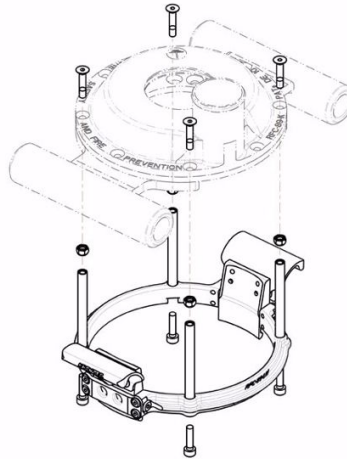
sales@air-allied.com.au



ENDURANCE UPGRADE RFC-88-K & RFC-89-K

Brand: **Krontec**

Product Code: **RFC-89-K-LM-KIT**



ENDURANCE UPGRADE RFC-88-K & RFC-89-K

This is the Upgrade KIT to make the standard RFC-88-K and RFC-89-K refuelling coupler have the feature of the "Endurance" Version whereby it has the "LM" Lock mechanism to aid in the reduction of force required to retain connection when refuelling.

See the video explaining the lock mechanism below.

ALSO Please note this part is used for the "Standard" handle configuration. If you have the "XT" Extended handles on the refuelling coupler, you will need the part# RFC-89-K-LM-XT-KIT, as this part RFC-89-K-LM-KIT is made to suit the Standard handle configuration.

Attachments

[Krontec Lock Mechanism for Standard Handle - ENDURANCE UPGRADE RFC-88-K & RFC-89-K Customer Information](#)
[Krontec RFC-89 Manual 11_22 REV-01](#)